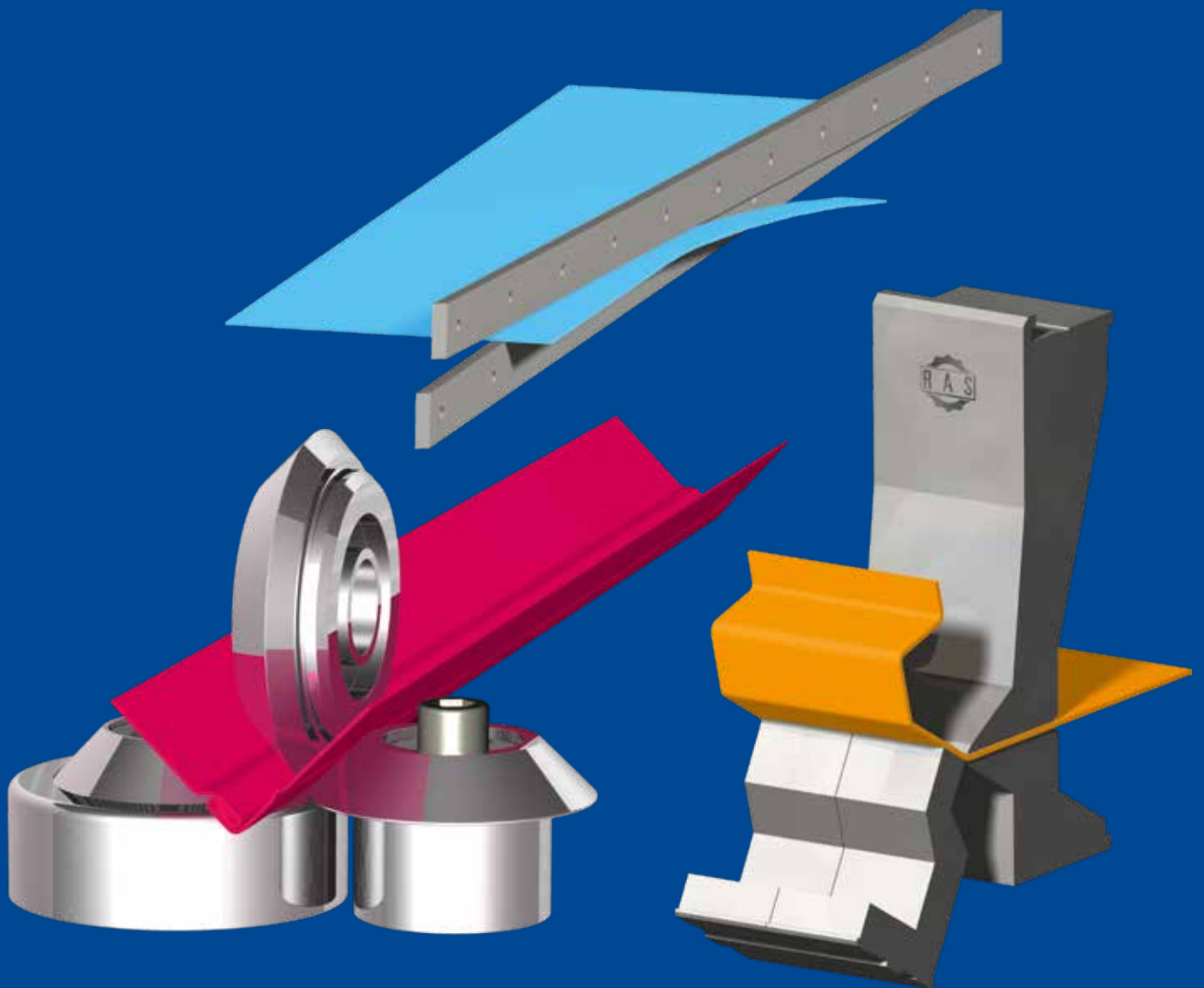


INNOVATION MADE IN GERMANY



Production Program



CUTTING

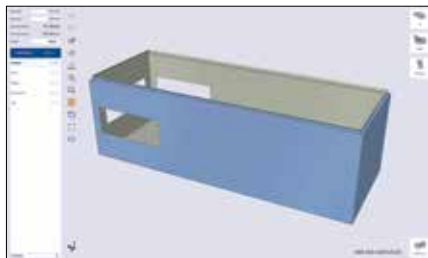
BENDING

FORMING

SOFTWARE

Bending Centers

UpDownCenter



The second generation of the RAS UpDownCenter is available with or without tool changer. With up to 4 mm bending capacity, up to 4060 mm bending length or 400 mm tool height, the UpDown technology offers maximum versatility. One-click part programming, front and rear operation, an extremely flexible suction pad positioning system and ultimate bending accuracy are just a few of the highlights of this folding innovation.

Office software with one-click programming starting from a STEP, DXF, GEO file of the part. No expert knowledge required. Fast, safe, precise.



The best bending sequences are shown according to the highest the 5-star ranking.



The 3D simulation shows the folding sequence and possible collisions. New products can already be evaluated during the design process.



Automatic part positioning by a suction gauging system.



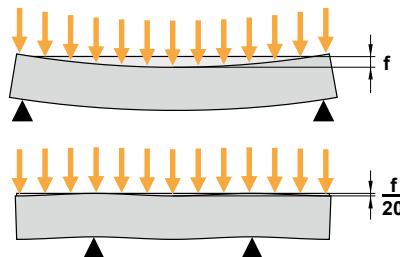
High flexibility in handling due to front suction cups and small part suction cups.



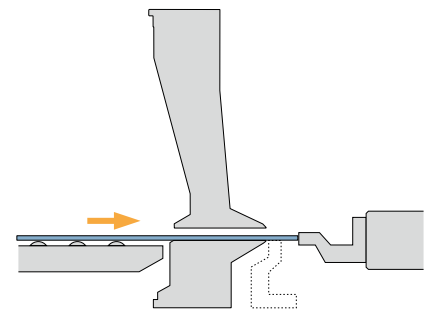
Upper beam tools for boxes up to 400 mm tall.



The automatic tool changer (78.33-2 & 78.43-2) sets up of even heavy tools.



Maximum bending accuracy due to the patented beam-in-beam folding beam design.



Extended flexibility, as the folding beam can be used as a gauging stop.



Accurate alignment of long and narrow parts with the active squaring arm.

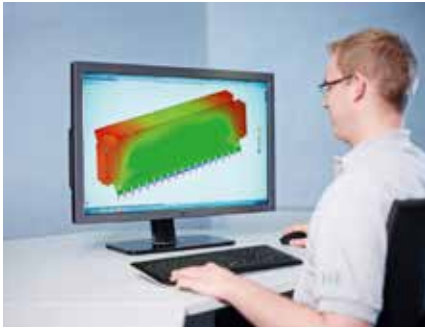


Machine with tool changer. Sliding glass doors preferably protect the folding beam area.



Machine without tool changer. A light curtain combines safety and access while operating from the front.

Technical data	Bending length max.	Sheet thickness max.	Box height max.
UpDownCenter RAS 78.43-2/40-2	4060 mm	3.0 mm	400 mm
UpDownCenter RAS 78.33-2/30-2	3200 mm	4.0 mm	400 mm



Design



Sawing



Plasma cutting



Milling



Turning



Grinding



Welding



Powder coating



Assembly



Electrical assembly



Quality inspection



RAS - Regional production for global sustainability



INNOVATION MADE IN GERMANY



09. 2018



Headquarters in Sindelfingen. In the foreground „Steel object“.



Efringen - factory and artwork



RAS Systems LLC in Georgia, USA

All sheet thickness refer to 400 N/mm² tensile strength. Subject to changes. Pictures may show options.



Founder Wilhelm Reinhardt



Managing Directors Rainer Stahl and Willy Stahl

RAS Reinhardt Maschinenbau GmbH

Richard-Wagner-Straße 4-10 | 71065 Sindelfingen

Fon: + 49-7031-863-0 | info@RAS-online.de

www.RAS-online.de