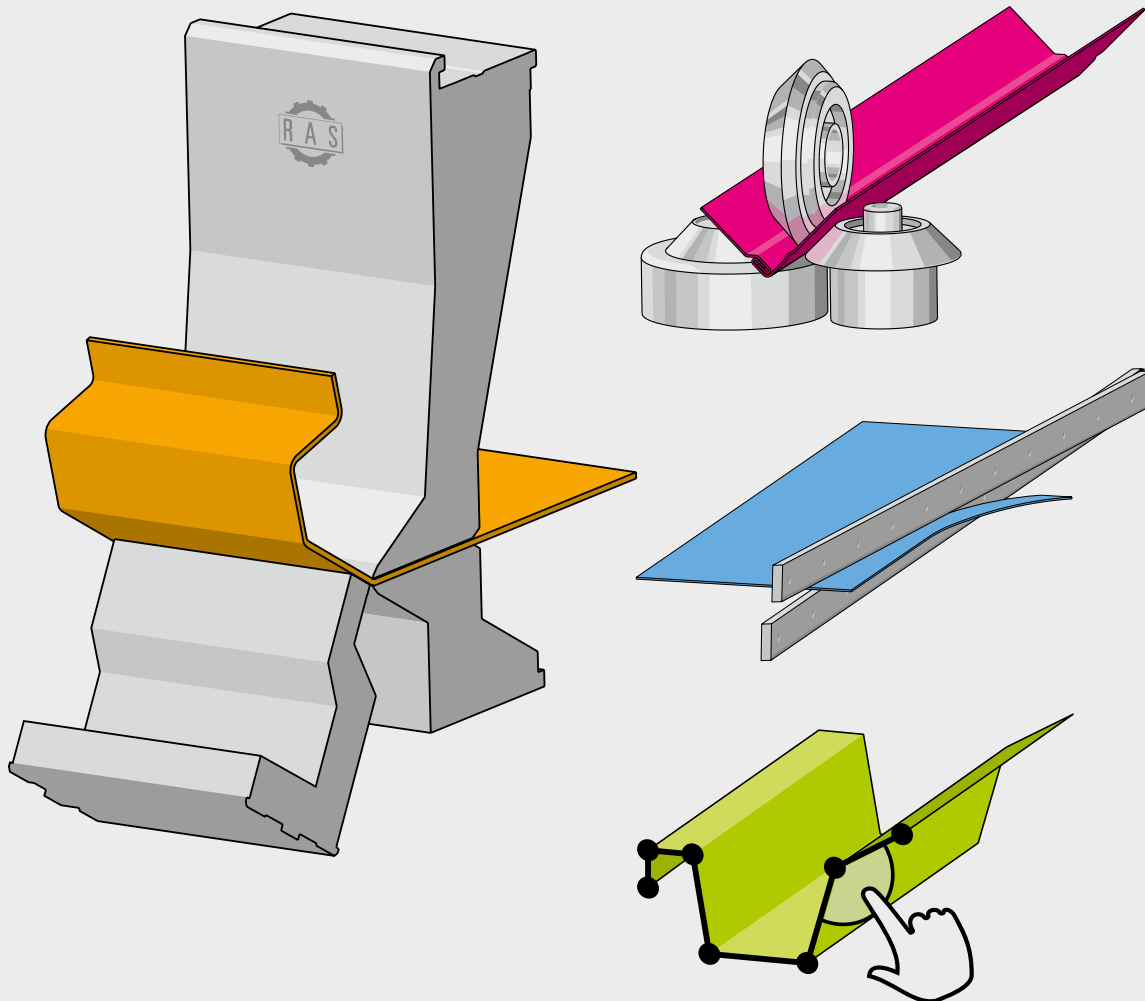


# Production Program



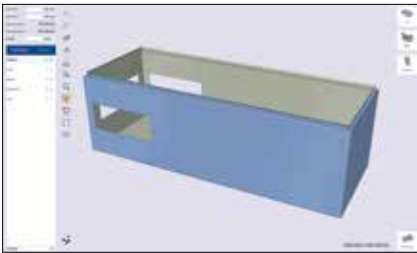
CUTTING

BENDING

FORMING

SOFTWARE

# UpDownCenter



The RAS UpDownCenter-2 bends materials up to 4 mm thick, up to 4060 mm long or 400 mm high. The one-click part programming software, the automatic tool changer, the UpDownTools in the folding beam and a extremely flexible suction cup plate positioning system adds maximum efficiency. Folding technology innovations that result in precision parts.

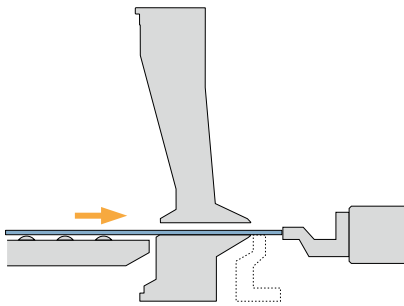
STEP file import of a part



The 3D simulation shows the folding sequence and possible collisions. New products can be evaluated during the design process.



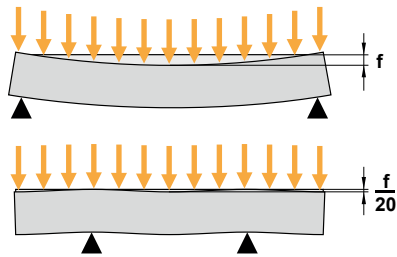
Upper beam tools as tall as 400 mm



Extended flexibility, as the folding beam can be used as a gauging stop.



The automatic tool changer for quick tool set-ups extends production times.



Maximum bending accuracy due to the patented beam-in-beam folding beam design.



The automatic tool changer for quick tool set-ups extends production times.



UpDownTools in down position for interrupted bend lines.



Upper beam tools for boxes up to 400 mm tall.

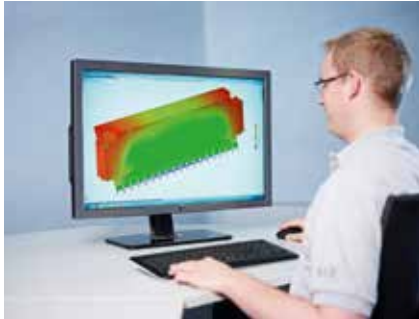


Suction cups for small parts allow safe positioning of small workpieces



High flexibility in handling due to front suction cups and small part suction cups.

Technical data	Bending length max.	Sheet thickness max.	Box height max.
UpDownCenter RAS 78.43-2/40-2	4060 mm	3.0 mm	400 mm
UpDownCenter RAS 78.33-2/30-2	3200 mm	4.0 mm	400 mm



Design



Sawing



Plasma cutting



Milling



Turning



Grinding



Welding



Powder coating



Assembly



Electrical assembly



Quality inspection



RAS - Regional production for global sustainability



Headquarters in Sindelfingen. In the foreground „Steel object“.



Effringen - factory and artwork



RAS Systems LLC in Georgia, USA



Founder Wilhelm Reinhardt



Managing Directors Rainer Stahl, Matthias Huber und Willy Stahl

All sheet thickness refer to 400 N/mm<sup>2</sup>  
tensile strength. Subject to changes.  
Pictures may show options.