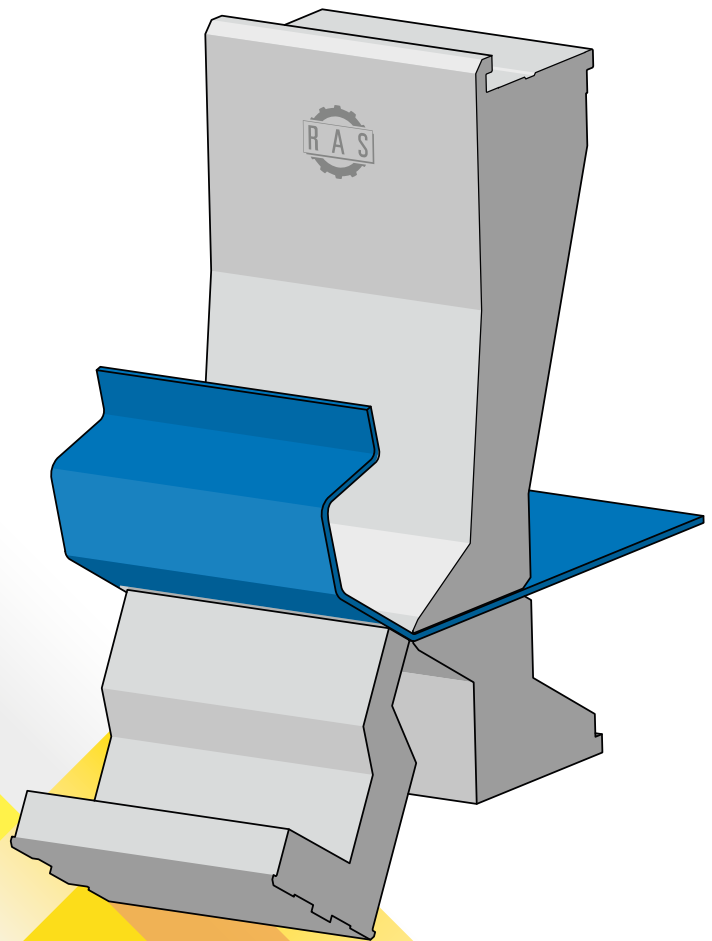
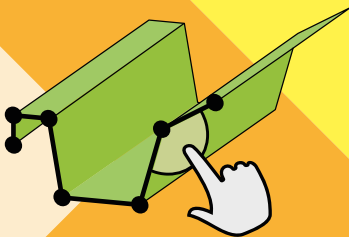
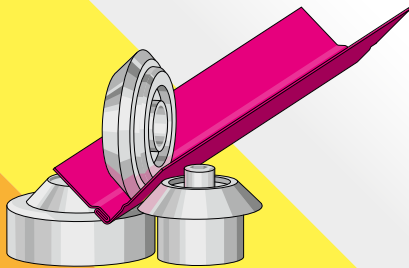
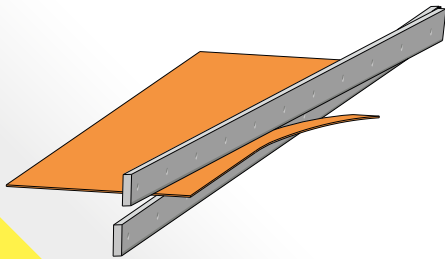


INNOVATION
MADE IN GERMANY



RAS REINHARDT MASCHINENBAU GMBH

Production Program



WWW.RAS-ONLINE.DE

Bending

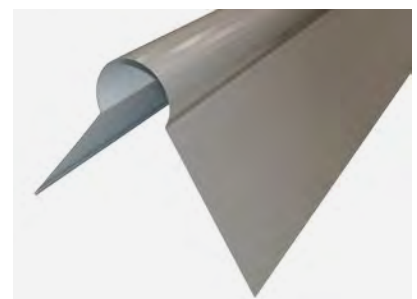
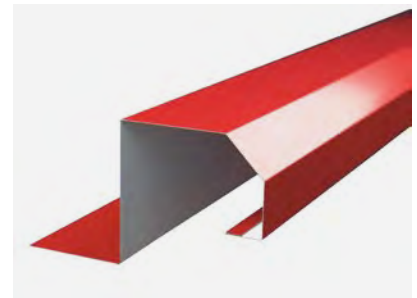
FOLDING MACHINES

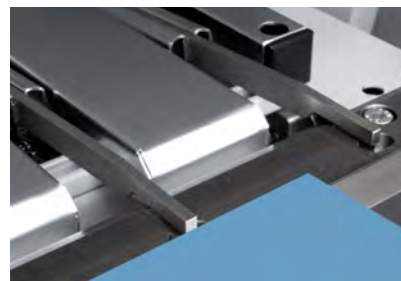
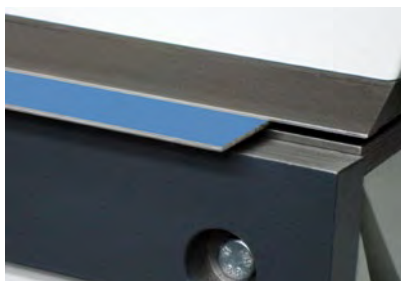
TURBObend



For many roofers and metal builders the TURBObend is the most advanced, easy to use and most accurate folding machine in the world.

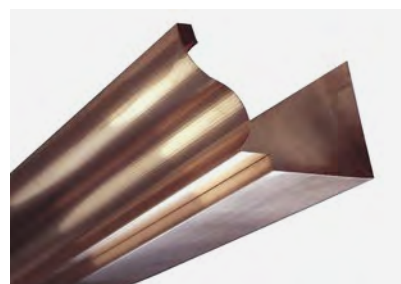
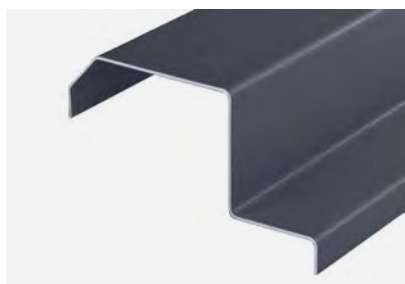
The TURBObend's upper beam is an engineering marvel. It's eccentric elbow pivot opens and closes the upper beam quickly, powerfully and incredibly accurate. This means the TURBObend can create incredibly accurate bends and hems while offering superior longevity and low maintenance.



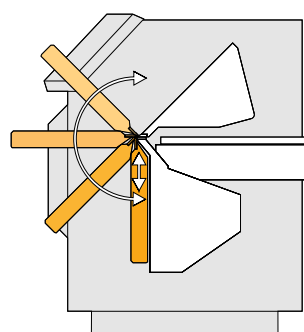


Automatic folding beam adjustment for thin and thick materials.

Stop finger at minimum stop dimension.



Rear of the TURBObend with rectangular gauging system.



The bending beam of the TURBObend ensures exact, repeatable bent parts.



TURBObend

RAS 61.31

BENDING LENGTH MAX.	3150 mm
SHEET THICKNESS MAX.	1.5 mm
BACKSTOP	6.0–1000 mm

RAS REINHARDT MASCHINENBAU

The company

RAS is proud to manufacture and distribute high-quality premium sheet metal fabrication products. Our expertise runs the gamut of developing groundbreaking solutions that help our customers achieve their goals.

At RAS, we firmly believe in the importance of first-class advice and expertise. Our mission statement is to treat each customer as if they were the only one, because we value each customer's individual needs and requirements.

What sets us apart at RAS is our commitment to setting the highest standards for our own business. We demand continuous excellence from ourselves and strive to exceed our customers' expectations. With over 200 attractive and safe workplaces, we offer not only first-class products, but also a supportive working environment for our employees.

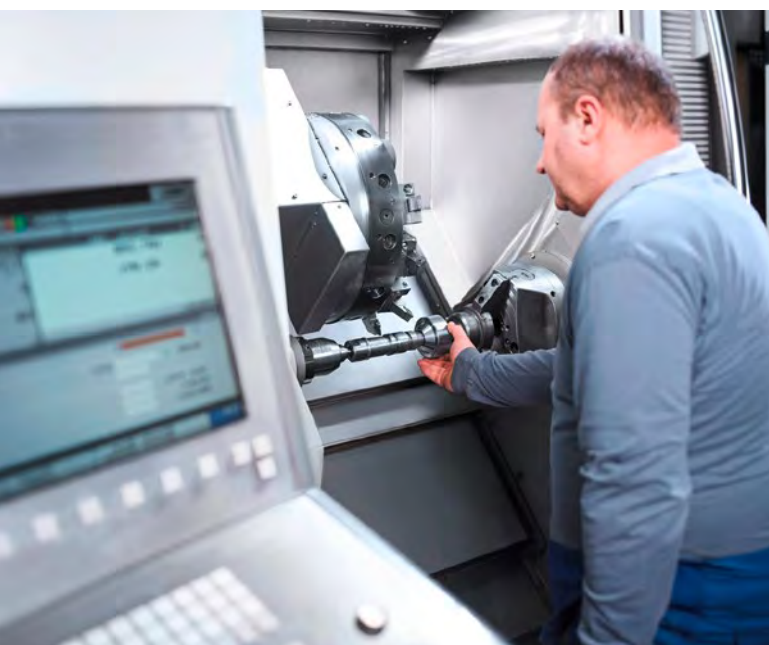
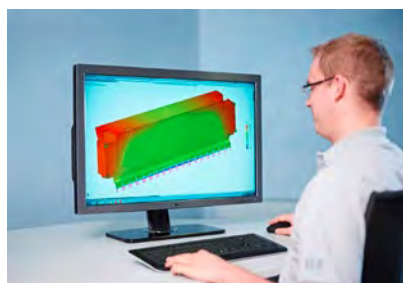
Our focus is on identifying and developing our strengths. At RAS, we understand that continuous improvement is the key to success. As a family business, we build on mutual trust, both within our company and in our relationship with customers and partners. We focus on maximum vertical integration and consistently high quality in all our products—in line with the "Made in Germany" label.



INNOVATION



MADE IN GERMANY



Mutual trust, maximum vertical integration and consistently high quality





INNOVATION
MADE IN GERMANY

Bending

Cutting

Forming

Software

RAS Reinhardt Maschinenbau GmbH
Richard-Wagner-Straße 4 –10
71065 Sindelfingen

Fon: + 49-7031-863-0
info@ras-online.de

WWW.RAS-ONLINE.DE